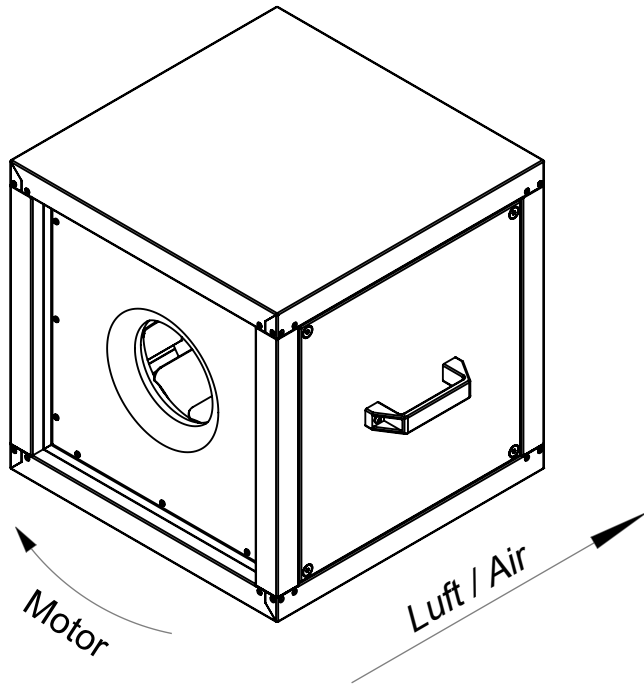
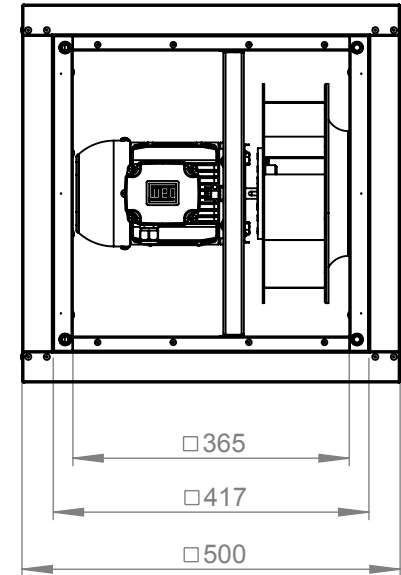


Anschlussmaß innen
min. \varnothing 220
Connection size inside
min. \varnothing 220



1:10 A4 mm

ruck^{EU}
VENTILATOREN

Protection Mark
according to ISO16016

General tolerances
DIN ISO 2768-c

MPC250D230

ruck Ventilatoren
Max-Planck-Str. 5
D-97944 Boxberg

Drawn: d.hancu
Created: d.hancu
Changed:

16.08.17
16.08.17

141055 00