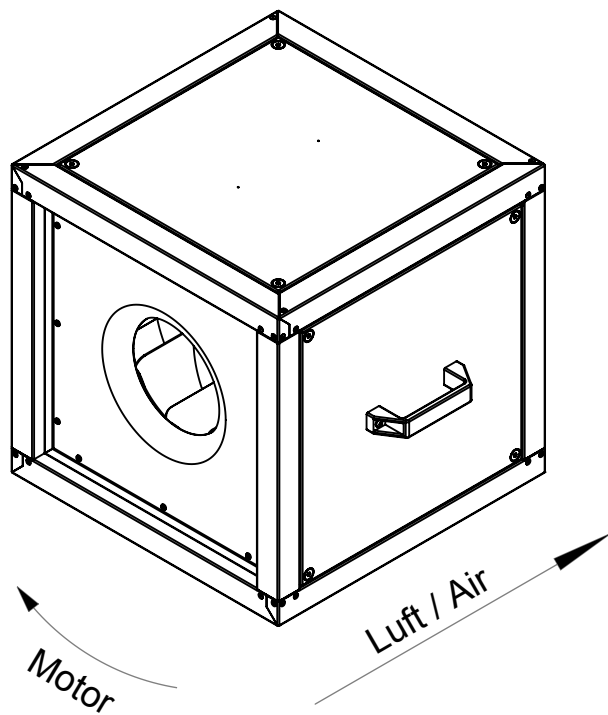
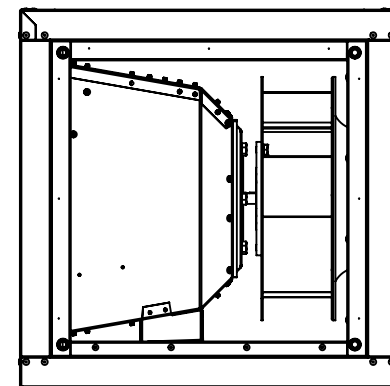


Anschlussmaß innen
min. $\varnothing 240$
Connection size inside
min. $\varnothing 240$



1:10 A4 mm

Protection Mark
according to ISO16016

General tolerances
DIN ISO 2768-c

MPC280D2T30

ruck^{EU}
VENTILATOREN

ruck Ventilatoren
Max-Planck-Str. 5
D-97944 Boxberg

Drawn: d.hancu
Created: d.hancu
Changed:

17.07.17
17.07.17

140680 00